

# LOCK-BLOCK LTD.

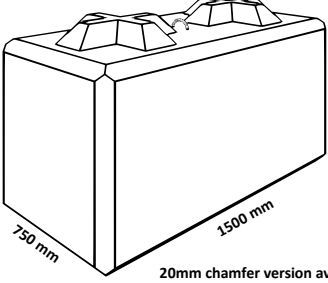
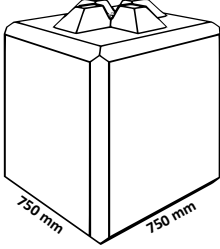
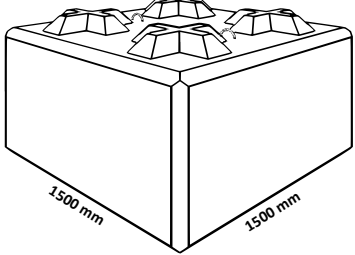
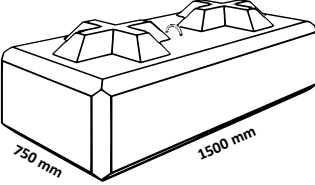
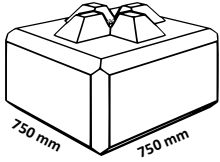
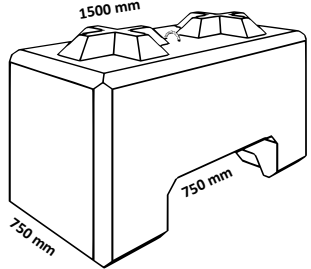
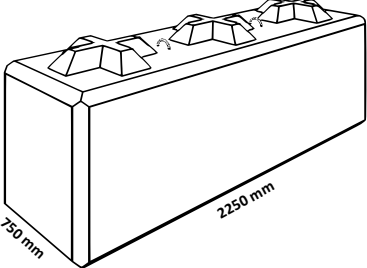
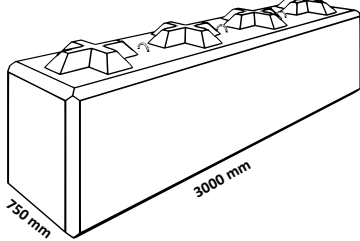
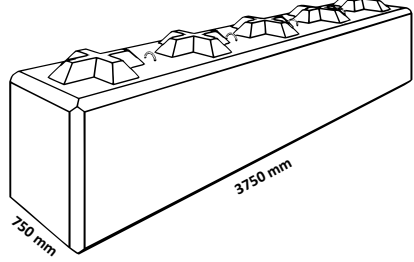
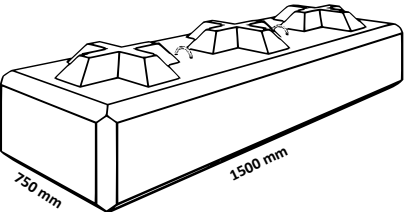
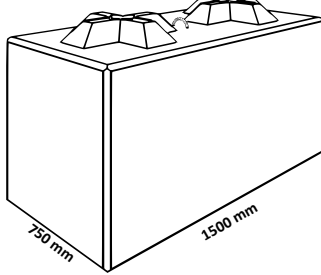
Manufacturers of the LOCK-BLOCK™ Retaining wall system

13171 Mitchell Road, Richmond, B.C. V6V 1M7

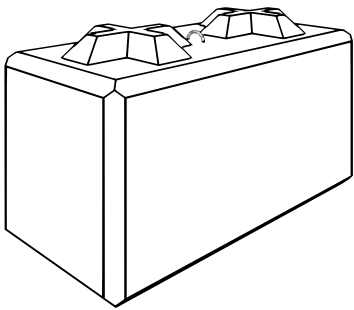
Toll free 1-800-565-2565 Fax. (604)325-3124

Website: [www.LockBlock.com](http://www.LockBlock.com) E-mail: [info@lockblock.com](mailto:info@lockblock.com)

## Page 1 - Keyed

 <p>750 mm 1500 mm 20mm chamfer version available</p> <p><b>4200 lbs</b>      <b>Standard</b></p>	 <p>750 mm 750 mm 20mm chamfer version available</p> <p><b>2100 lbs</b>      <b>Half</b></p>	 <p>1500 mm 1500 mm 750 mm</p> <p><b>8500 lbs</b>      <b>Double Wide</b></p>
 <p>375 mm 1500 mm 750 mm</p> <p><b>2100 lbs</b>      <b>Half-Height</b></p>	 <p>375 mm 750 mm 750 mm</p> <p><b>1000 lbs</b>      <b>Half-Height Half</b></p>	 <p>1500 mm 750 mm 750 mm</p> <p><b>3600 lbs</b>      <b>Gutter</b></p>
 <p>750 mm 2250 mm 750 mm</p> <p><b>6400 lbs</b>      <b>Three Cross</b></p>	 <p>750 mm 3000 mm 750 mm</p> <p><b>8500 lbs</b>      <b>Four Cross</b></p>	 <p>750 mm 3750 mm 750 mm</p> <p><b>10600 lbs</b>      <b>Five Cross</b></p>
 <p>375 mm 1500 mm 750 mm</p> <p><b>3100 lbs</b>      <b>Half-Height Three Cross</b></p>	 <p>750 mm 1500 mm 750 mm</p> <p><b>4200 lbs</b>      <b>20mm chamfer</b></p>	<p><b>Block addons</b></p> <ul style="list-style-type: none"> <li>- Utility</li> <li>- 30 MPa, add \$78</li> <li>- Granite, add \$98</li> <li>- Vertical Rib, Cutstone, Texturlock, add \$24 per face</li> <li>- Standard chamfer is 50mm</li> </ul>

Blocks are normally available for immediate delivery, however some configurations may not be in stock and will therefore require advance notice. Granite facing or textured facing can be added to most blocks upon request. Block weights can vary by 5%



# LOCK-BLOCK LTD.

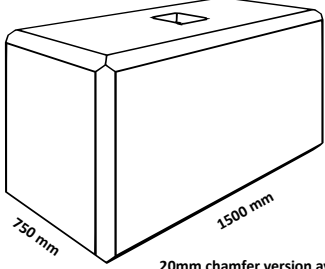
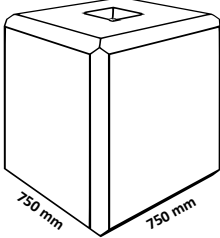
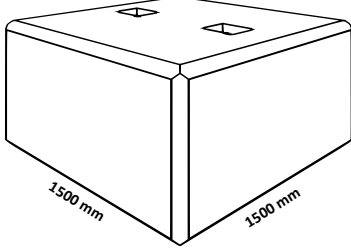
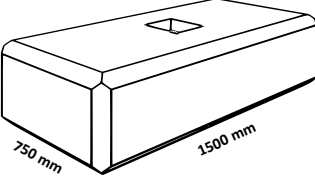
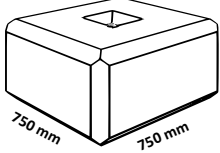
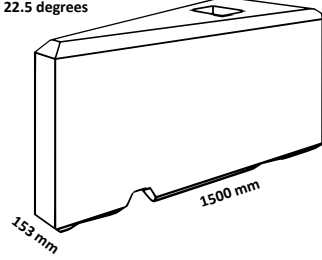
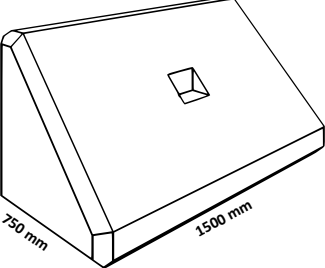
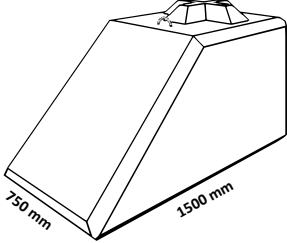
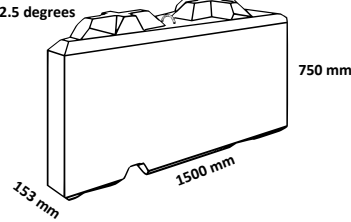
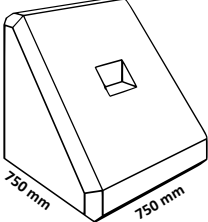
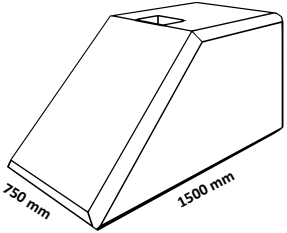
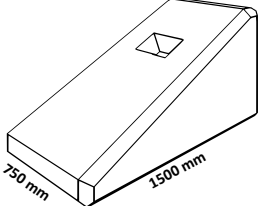
Manufacturers of the LOCK-BLOCK™ Retaining wall system

13171 Mitchell Road, Richmond, B.C. V6V 1M7

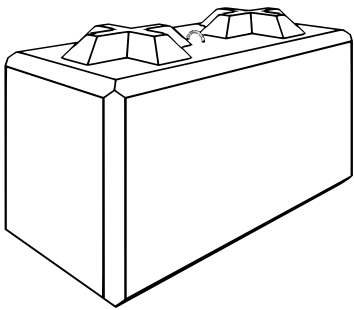
Toll free 1-800-565-2565 Fax. (604)325-3124

Website: [www.LockBlock.com](http://www.LockBlock.com) E-mail: [info@lockblock.com](mailto:info@lockblock.com)

## Page 2 - Flat Top / Transition

 <p>750 mm 1500 mm 20mm chamfer version available</p> <p><b>4100 lbs</b> Flat Top</p>	 <p>750 mm 750 mm 20mm chamfer version available</p> <p><b>2100 lbs</b> Half Flat Top</p>	 <p>1500 mm 1500 mm 750 mm</p> <p><b>8300 lbs</b> Double Wide Flat Top</p>
 <p>750 mm 1500 mm 375 mm</p> <p><b>2000 lbs</b> Half-Height Flat Top</p>	 <p>750 mm 750 mm 375 mm</p> <p><b>1000 lbs</b> Half-Height Half Flat Top</p>	 <p>22.5 degrees 1500 mm 750 mm 153 mm</p> <p><b>2500 lbs</b> Wedge Flat Top</p>
 <p>750 mm 750 mm 1500 mm</p> <p><b>2800 lbs</b> Side Transition</p>	 <p>750 mm 750 mm 1500 mm</p> <p><b>3400 lbs</b> Transition</p>	 <p>22.5 degrees 1500 mm 750 mm 153 mm</p> <p><b>2500 lbs</b> Wedge</p>
 <p>750 mm 750 mm 750 mm</p> <p><b>1400 lbs</b> Half Transition</p>	 <p>750 mm 750 mm 1500 mm</p> <p><b>3300 lbs</b> Transition Flat Top</p>	 <p>750 mm 750 mm 1500 mm</p> <p><b>2600 lbs</b> 2 to 1 Transition</p>

Blocks are normally available for immediate delivery, however some configurations may not be in stock and will therefore require advance notice. Granite facing or textured facing can be added to most blocks upon request. Block weights can vary by 5%



# LOCK-BLOCK LTD.

Manufacturers of the LOCK-BLOCK™ Retaining wall system

13171 Mitchell Road, Richmond, B.C. V6V 1M7

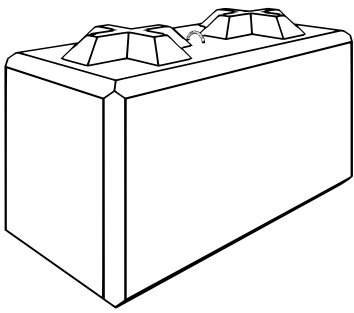
Toll free 1-800-565-2565 Fax. (604)325-3124

Website: [www.LockBlock.com](http://www.LockBlock.com) E-mail: [info@lockblock.com](mailto:info@lockblock.com)

## Page 3 - Benches

<p><b>3100 lbs</b> Bench</p>	<p><b>2900 lbs</b> Left Inside Corner Bench</p>	<p><b>2900 lbs</b> Right Inside Corner Bench</p>
<p><b>1500 lbs</b> Half Bench</p>	<p><b>3300 lbs</b> Left Corner Bench</p>	<p><b>3300 lbs</b> Right Corner Bench</p>
<p><b>2400 lbs</b> Left Bench Transition</p>	<p><b>2400 lbs</b> Right Bench Transition</p>	<p><b>1700 lbs</b> Wedge Bench</p>
<p><b>2700 lbs</b> Full Stairs</p>	<p><b>1400 lbs</b> Half Stairs</p>	<p><b>2600 lbs</b> 4 Step Stairs</p>

Blocks are normally available for immediate delivery, however some configurations may not be in stock and will therefore require advance notice. Granite facing or textured facing can be added to most blocks upon request. Block weights can vary by 5%



# LOCK-BLOCK LTD.

Manufacturers of the LOCK-BLOCK™ Retaining wall system

13171 Mitchell Road, Richmond, B.C. V6V 1M7

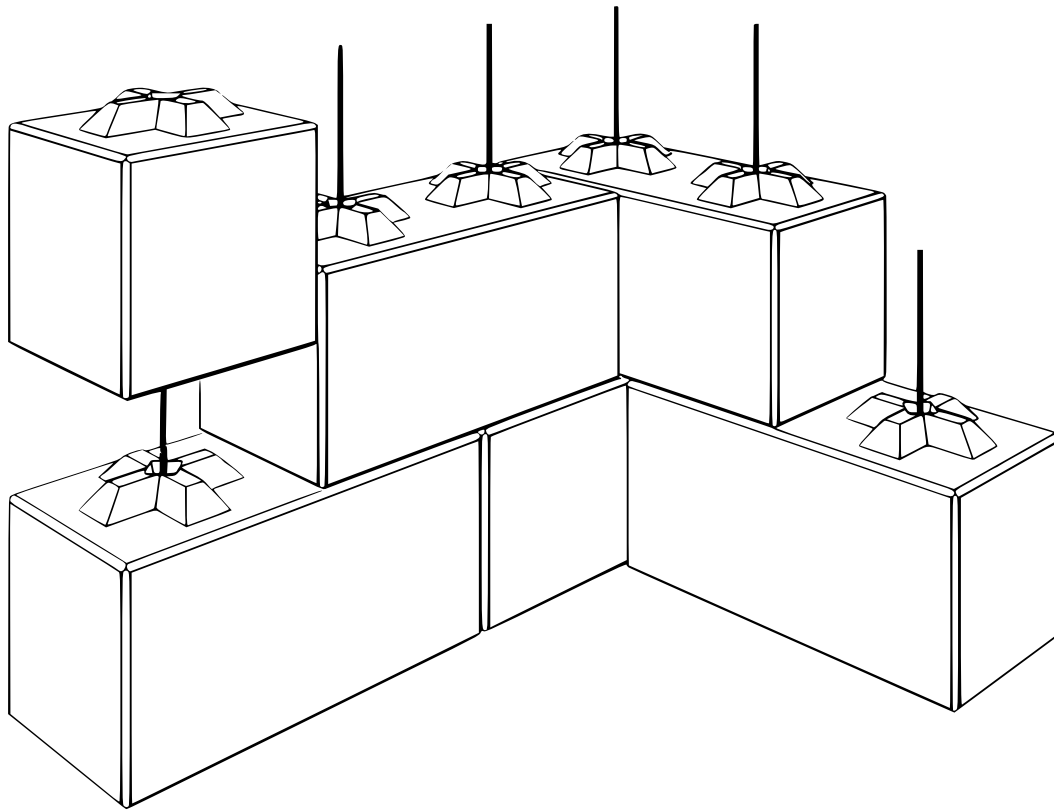
Toll free 1-800-565-2565 Fax. (604)325-3124

Website: [www.LockBlock.com](http://www.LockBlock.com) E-mail: [info@lockblock.com](mailto:info@lockblock.com)

Page 4 - Rod-Lock™

Listed prices are for 20Mpa strength.

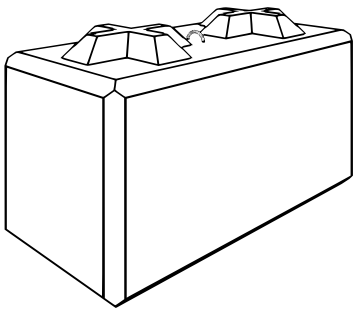
Prices current as of September, 2019



## Rod-Lock™ pricing

- Pipe holes 1¼" = \$15.00 per hole
- Anchors = \$49.00 per anchor
- Coil rod with nuts, plates and washers = \$69.00 per cavity

Anchors can be used in bottom row if wall does not need to be fixed into the ground. Most blocks are available for the Rod-Lock™ system. Please call for more details.



# LOCK-BLOCK LTD.

Manufacturers of the LOCK-BLOCK™ Retaining wall system

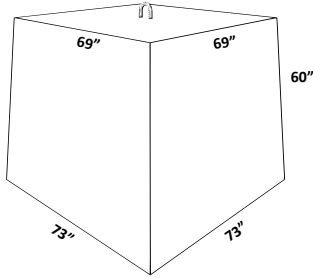
13171 Mitchell Road, Richmond, B.C. V6V 1M7

Toll free 1-800-565-2565 Fax. (604)325-3124

Website: [www.LockBlock.com](http://www.LockBlock.com) E-mail: [info@lockblock.com](mailto:info@lockblock.com)

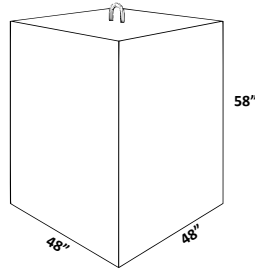
## Page 5 - Specialty

Weight of all anchors is variable +/- 5%



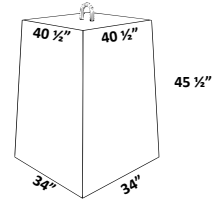
Large anchor

26500 lbs  
11.4 Imperial tons



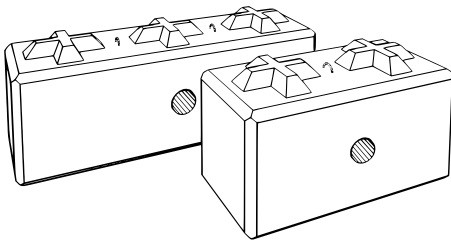
Medium anchor

11300 lbs  
5 Imperial tons



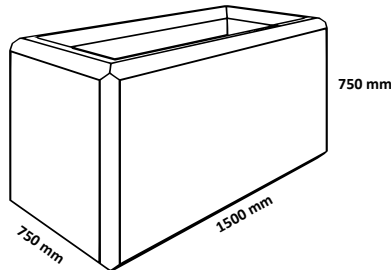
Small anchor

4000 lbs  
1.75 Imperial tons



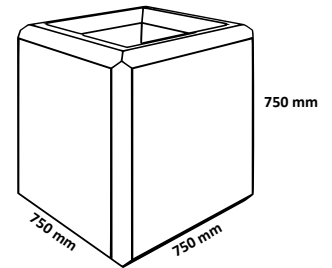
Blocks with pipe void

Pipes can be put in any block at any position.



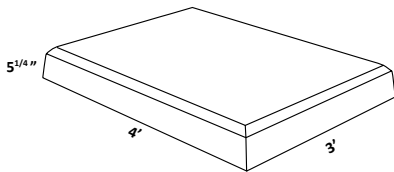
Planter

3200 lbs



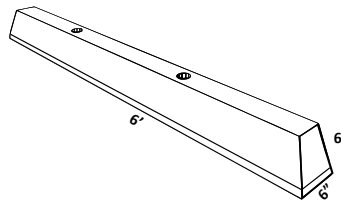
Half Planter

1700 lbs



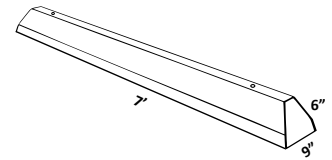
4' x 3' Parking Pad

800 lbs



Tuf-Stop™ Curb by Tuf-Tite

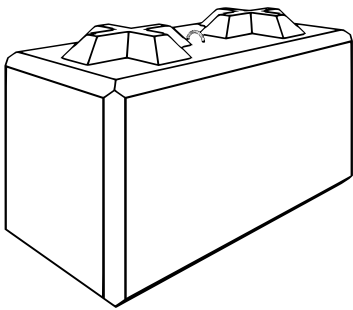
200 lbs



Parking Curb

200 lbs

Blocks are normally available for immediate delivery, however some configurations may not be in stock and will therefore require advance notice. Granite facing or textured facing can be added to most blocks upon request. Block weights can vary by 5%



# LOCK-BLOCK LTD.

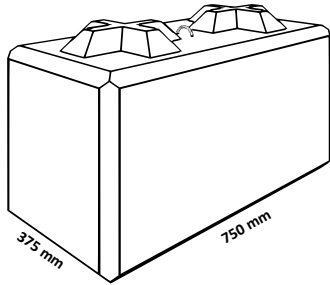
Manufacturers of the LOCK-BLOCK™ Retaining wall system

13171 Mitchell Road, Richmond, B.C. V6V 1M7

Toll free 1-800-565-2565 Fax. (604)325-3124

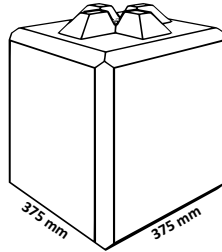
Website: [www.LockBlock.com](http://www.LockBlock.com) E-mail: [info@lockblock.com](mailto:info@lockblock.com)

## Page 6 - Mini Blocks pt 1



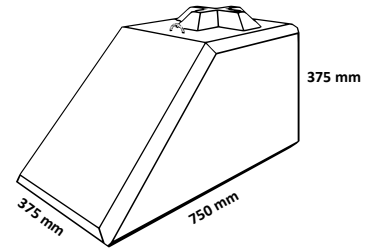
Standard Mini

540 lbs



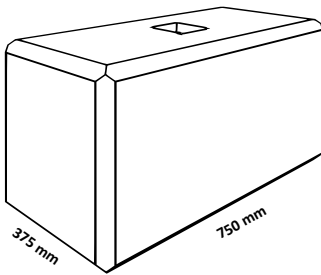
Half Mini

260 lbs



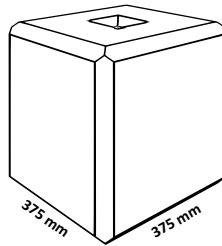
Transition Mini

425 lbs



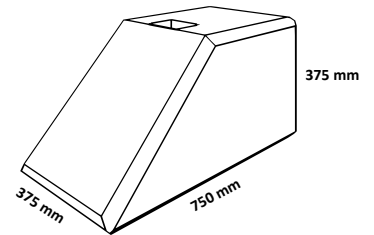
Flat Top Mini

540 lbs



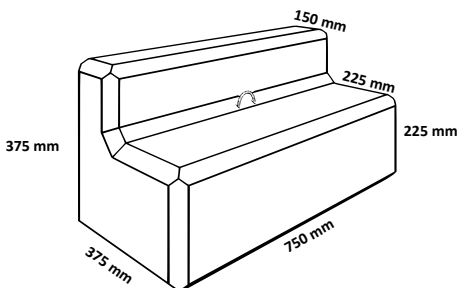
Half Flat Top Mini

260 lbs



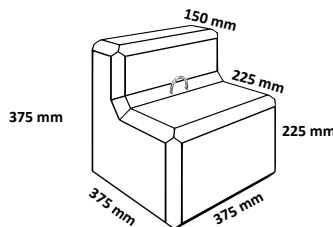
Transition Flat Top Mini

410 lbs



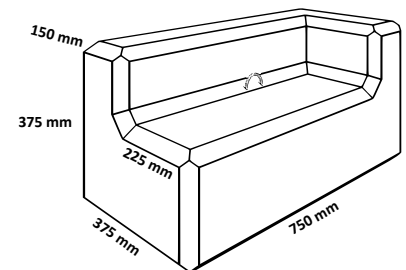
Bench Mini

390 lbs



Half Bench Mini

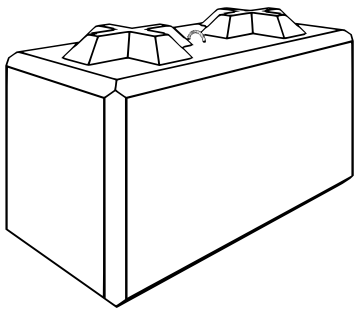
190 lbs



Left Corner Bench Mini

415 lbs

Blocks are normally available for immediate delivery, however some configurations may not be in stock and will therefore require advance notice. Granite facing or textured facing can be added to most blocks upon request. Block weights can vary by 5%



# LOCK-BLOCK LTD.

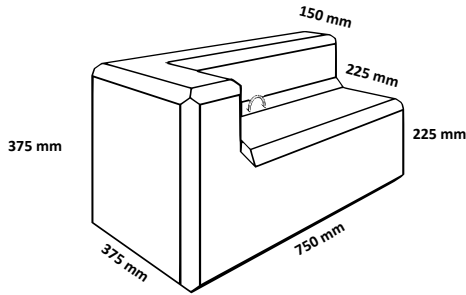
Manufacturers of the LOCK-BLOCK™ Retaining wall system

13171 Mitchell Road, Richmond, B.C. V6V 1M7

Toll free 1-800-565-2565 Fax. (604)325-3124

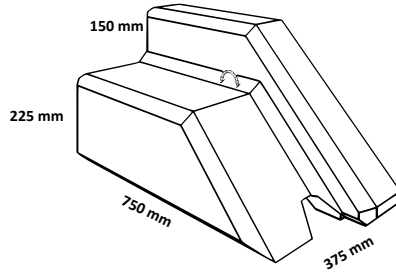
Website: [www.LockBlock.com](http://www.LockBlock.com) E-mail: [info@lockblock.com](mailto:info@lockblock.com)

## Page 7 - Mini Blocks pt 2



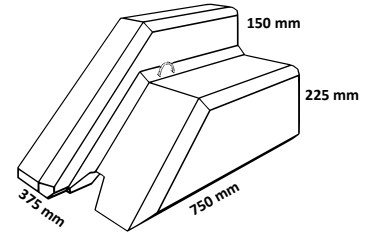
Right Corner Bench Mini

415 lbs



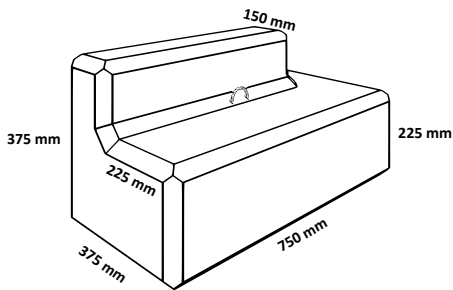
Left Bench Transition Mini

300 lbs



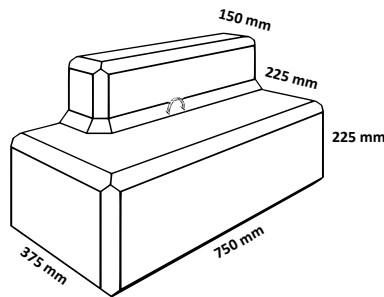
Right Bench Transition Mini

300 lbs



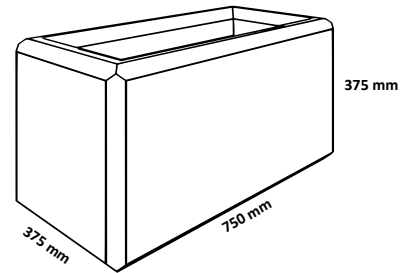
Left Inside Corner Bench Mini

365 lbs



Right Inside Corner Bench Mini

365 lbs



Planter Mini

400 lbs

Blocks are normally available for immediate delivery, however some configurations may not be in stock and will therefore require advance notice. Granite facing or textured facing can be added to most blocks upon request. Block weights can vary by 5%