

LOCK-BLOCK LTD.

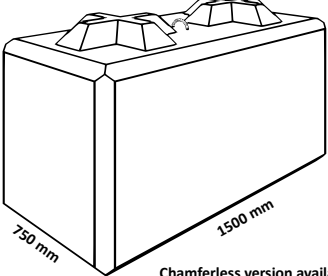
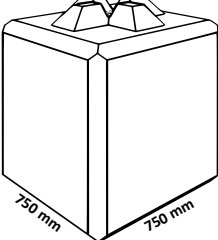
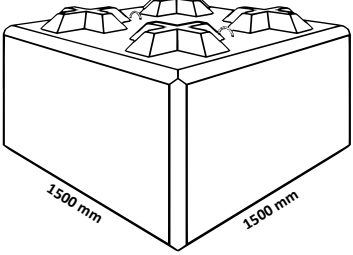
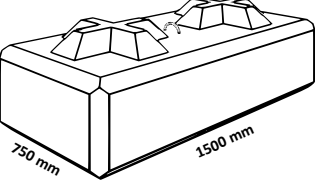
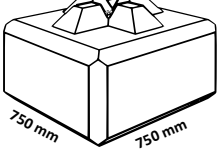
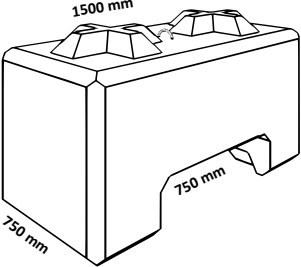
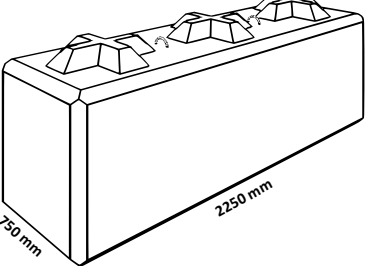
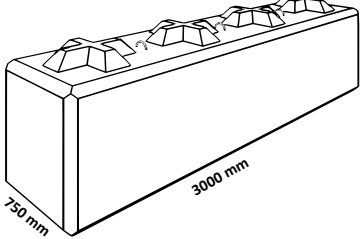
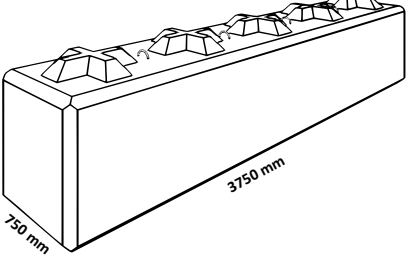
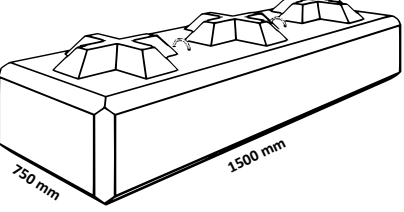
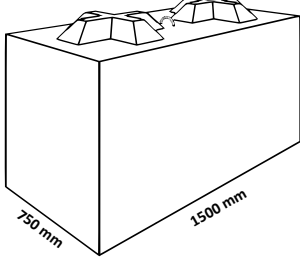
Manufacturers of the LOCK-BLOCK™ Retaining wall system

13171 Mitchell Road, Richmond, B.C. V6V 1M7

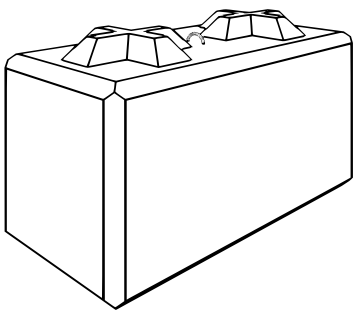
Toll free 1-800-565-2565 Fax. (604)325-3124

Website: www.LockBlock.com E-mail: lock-block@telus.net

Page 1 - Keyed

 <p>750 mm 1500 mm Chamferless version available for +\$15</p> <p>4400 lbs Standard</p>	 <p>750 mm 750 mm Chamferless version available for +\$15</p> <p>2200 lbs Half</p>	 <p>1500 mm 1500 mm 750 mm</p> <p>8800 lbs Double Wide</p>
 <p>375 mm 750 mm 1500 mm</p> <p>2200 lbs Half-Height</p>	 <p>375 mm 750 mm 750 mm</p> <p>1100 lbs Half-Height Half</p>	 <p>1500 mm 750 mm 750 mm</p> <p>3600 lbs Gutter</p>
 <p>750 mm 2250 mm 750 mm</p> <p>6600 lbs Three Cross</p>	 <p>750 mm 3000 mm 750 mm</p> <p>8800 lbs Four Cross</p>	 <p>750 mm 3750 mm 750 mm</p> <p>11000 lbs Five Cross</p>
 <p>375 mm 750 mm 1500 mm</p> <p>3300 lbs Half-Height Three Cross</p>	 <p>750 mm 750 mm 1500 mm</p> <p>4400 lbs Chamferless</p>	<p>Block addons</p> <ul style="list-style-type: none"> - 30 MPa, add \$60 - Chamferless, add \$15 - Granite, add \$90 - Vertical Rib, Cutstone, Texturelock, add \$20 per face

Blocks are normally available for immediate delivery, however some configurations may not be in stock and will therefore require advance notice. Granite facing or textured facing can be added to most blocks upon request



LOCK-BLOCK LTD.

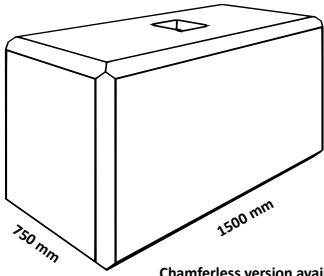
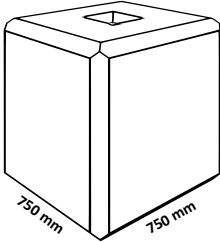
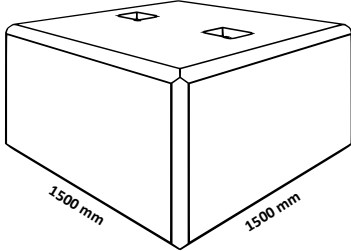
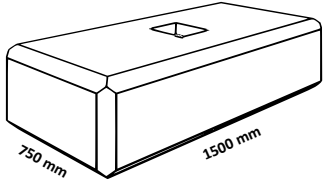
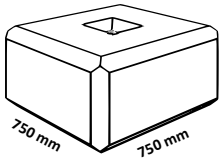
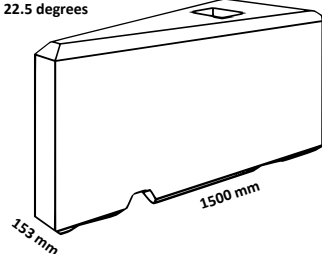
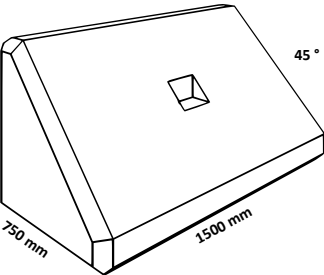
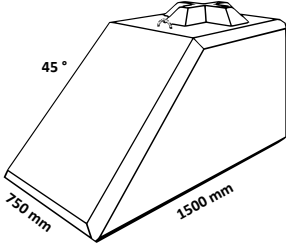
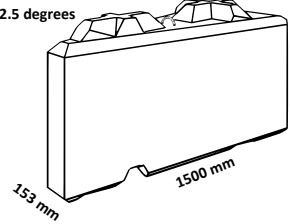
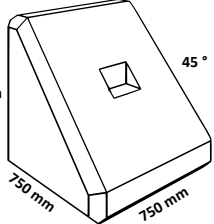
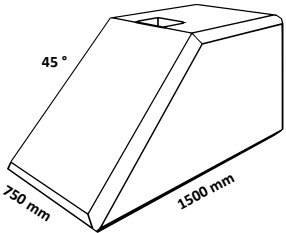
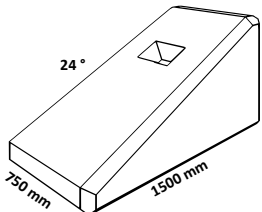
Manufacturers of the LOCK-BLOCK™ Retaining wall system

13171 Mitchell Road, Richmond, B.C. V6V 1M7

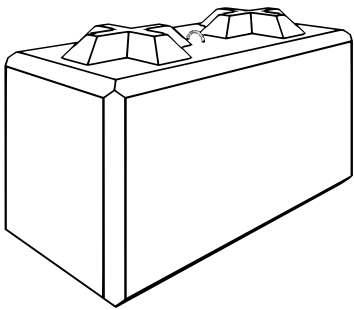
Toll free 1-800-565-2565 Fax. (604)325-3124

Website: www.LockBlock.com E-mail: lock-block@telus.net

Page 2 - Flat Top / Transition

 <p>750 mm 1500 mm 750 mm</p> <p>Chamferless version available for +\$15</p> <p>4400 lbs Flat Top</p>	 <p>750 mm 750 mm 750 mm</p> <p>Chamferless version available for +\$15</p> <p>2200 lbs Half Flat Top</p>	 <p>1500 mm 1500 mm 750 mm</p> <p>8800 lbs Double Wide Flat Top</p>
 <p>375 mm 1500 mm 750 mm</p> <p>2200 lbs Half-Height Flat Top</p>	 <p>375 mm 750 mm 750 mm</p> <p>1100 lbs Half-Height Half Flat Top</p>	 <p>22.5 degrees 1500 mm 750 mm 153 mm</p> <p>2200 lbs Wedge Flat Top</p>
 <p>45° 750 mm 1500 mm 750 mm</p> <p>2000 lbs Side Transition</p>	 <p>45° 750 mm 1500 mm 750 mm</p> <p>3400 lbs Transition</p>	 <p>22.5 degrees 750 mm 1500 mm 153 mm</p> <p>2600 lbs Wedge</p>
 <p>45° 750 mm 750 mm 750 mm</p> <p>1000 lbs Half Transition</p>	 <p>45° 750 mm 1500 mm 750 mm</p> <p>3400 lbs Transition Flat Top</p>	 <p>24° 750 mm 1500 mm 750 mm</p> <p>2200 lbs 2 to 1 Transition</p>

Blocks are normally available for immediate delivery, however some configurations may not be in stock and will therefore require advance notice. Granite facing or textured facing can be added to most blocks upon request



LOCK-BLOCK LTD.

Manufacturers of the LOCK-BLOCK™ Retaining wall system

13171 Mitchell Road, Richmond, B.C. V6V 1M7

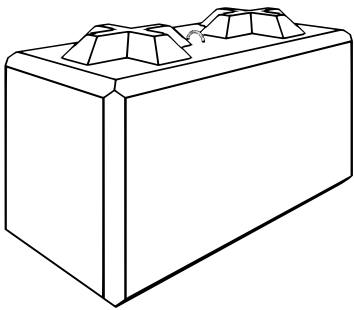
Toll free 1-800-565-2565 Fax. (604)325-3124

Website: www.LockBlock.com E-mail: lock-block@telus.net

Page 3 - Benches

<p>3200 lbs Bench</p>	<p>3200 lbs Left Inside Corner Bench</p>	<p>3200 lbs Right Inside Corner Bench</p>
<p>1600 lbs Half Bench</p>	<p>3400 lbs Left Corner Bench</p>	<p>3400 lbs Right Corner Bench</p>
<p>3000 lbs Left Bench Transition</p>	<p>3000 lbs Right Bench Transition</p>	<p>1800 lbs Wedge Bench</p>
<p>1800 lbs Full Stairs</p>	<p>1400 lbs Half Stairs</p>	<p>2600 lbs 4 Step Stairs</p>

Blocks are normally available for immediate delivery, however some configurations may not be in stock and will therefore require advance notice. Granite facing or textured facing can be added to most blocks upon request



LOCK-BLOCK LTD.

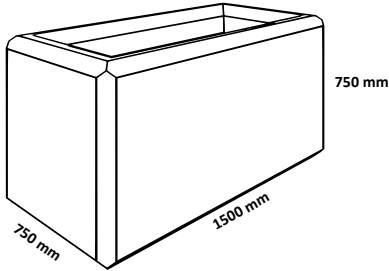
Manufacturers of the LOCK-BLOCK™ Retaining wall system

13171 Mitchell Road, Richmond, B.C. V6V 1M7

Toll free 1-800-565-2565 Fax. (604)325-3124

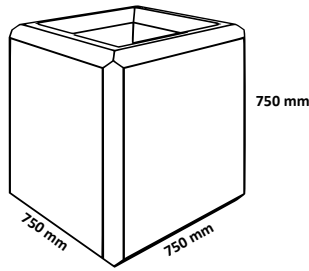
Website: www.LockBlock.com E-mail: lock-block@telus.net

Page 4 - Specialty



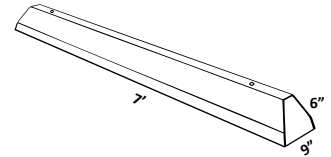
Planter

3300 lbs



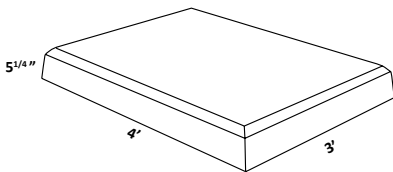
Half Planter

1800 lbs



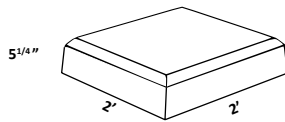
Parking Curb

260 lbs



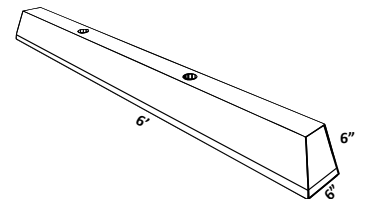
4' x 3' Parking Pad

800 lbs



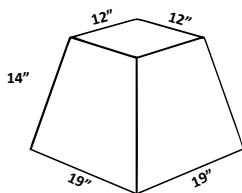
2' x 2' Parking Pad

300 lbs



Tuf-Stop™ Curb by Tuf-Tite

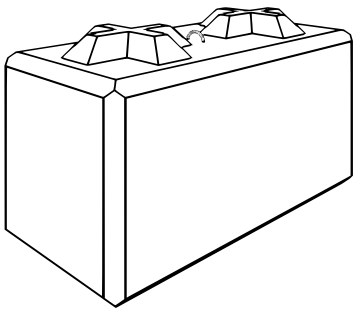
200 lbs



Truncated Pyramid

300 lbs

Blocks are normally available for immediate delivery, however some configurations may not be in stock and will therefore require advance notice. Granite facing or textured facing can be added to most blocks upon request



LOCK-BLOCK LTD.

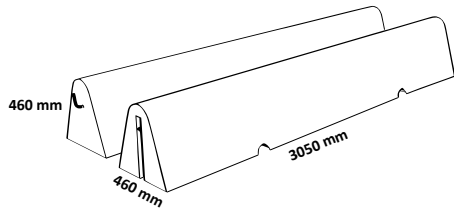
Manufacturers of the LOCK-BLOCK™ Retaining wall system

13171 Mitchell Road, Richmond, B.C. V6V 1M7

Toll free 1-800-565-2565 Fax. (604)325-3124

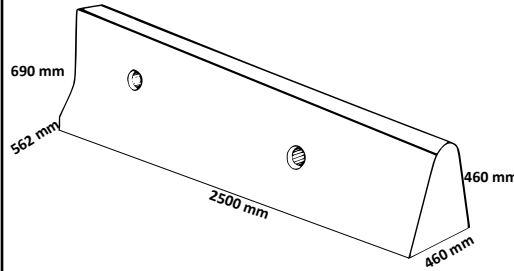
Website: www.LockBlock.com E-mail: lock-block@telus.net

Page 5 - Barriers pt 1



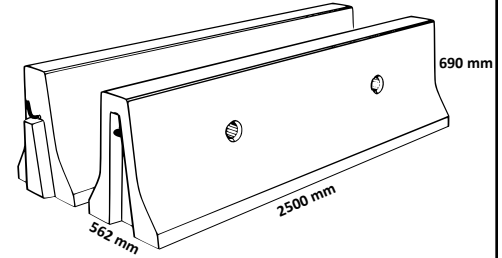
460 mm CLB

2200 lbs



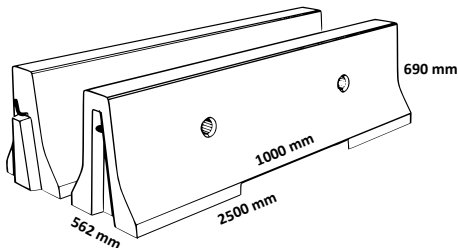
460 mm to 690 mm Transition

2400 lbs



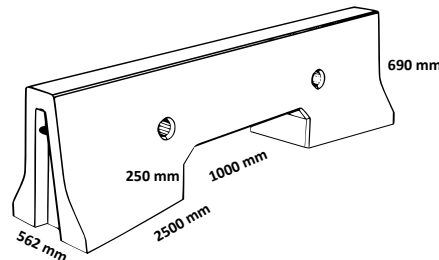
690 mm CRB

3000 lbs



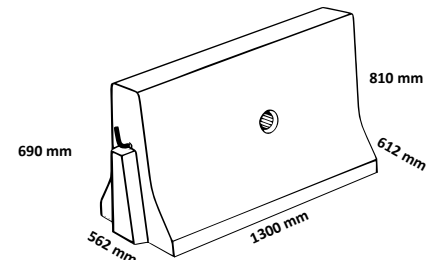
690 mm CRB Scupper

2900 lbs



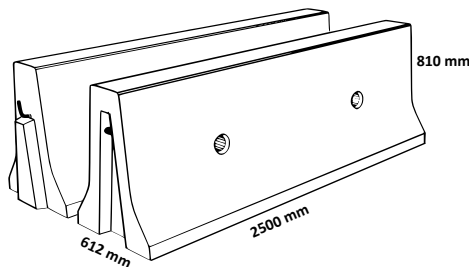
690 mm CDB Drainage

2300 lbs



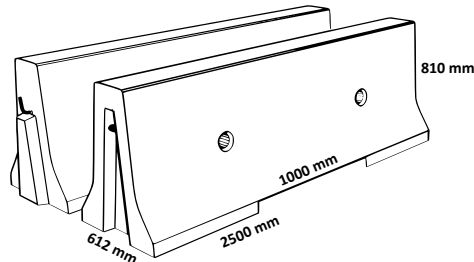
690 mm to 810 mm Transition

1800 lbs



810 mm CMB

3800 lbs



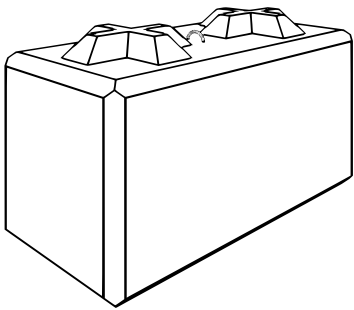
810 mm CMB Scupper

3700 lbs

Barriers are made as either Female-Female (E) as depicted in front or Male-Male (H) as depicted behind.

All barriers can be made with steel reinforcement instead of fibre by request.

Blocks are normally available for immediate delivery, however some configurations may not be in stock and will therefore require advance notice. Granite facing or textured facing can be added to most blocks upon request



LOCK-BLOCK LTD.

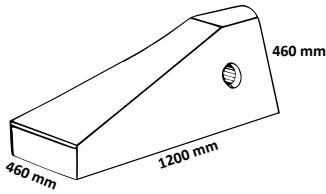
Manufacturers of the LOCK-BLOCK™ Retaining wall system

13171 Mitchell Road, Richmond, B.C. V6V 1M7

Toll free 1-800-565-2565 Fax. (604)325-3124

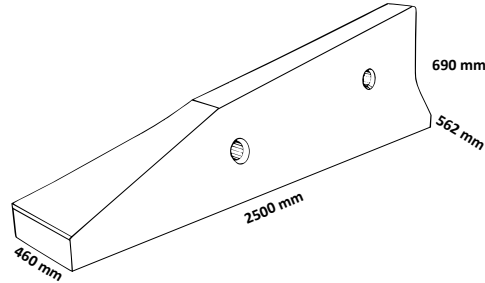
Website: www.LockBlock.com E-mail: lock-block@telus.net

Page 6 - Barriers pt 2



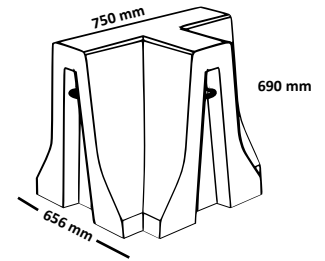
460 CBN Bullnose

700 lbs



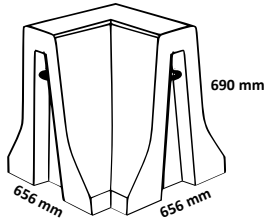
690 mm Bullnition

2100 lbs



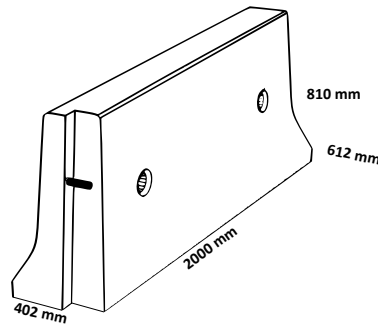
690 mm T Junction

1000 lbs



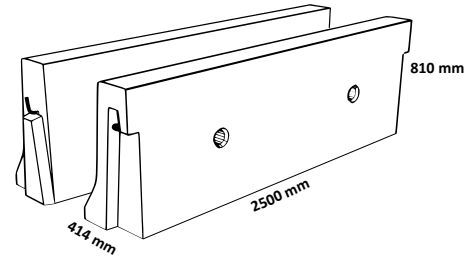
690 mm L Junction

800 lbs



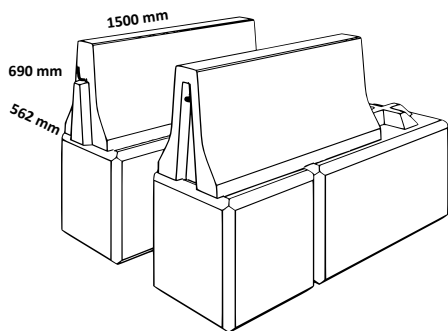
810 Bridge Parapet Transition

2700 lbs



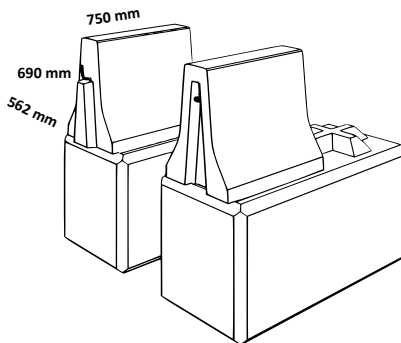
810 CPB Pier Barrier

3100 lbs



690 mm Lock-Block™ Barrier

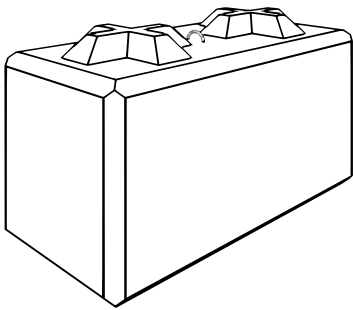
1700 lbs



690 mm Lock-Block™ Barrier Half

900 lbs

Blocks are normally available for immediate delivery, however some configurations may not be in stock and will therefore require advance notice. Granite facing or textured facing can be added to most blocks upon request



LOCK-BLOCK LTD.

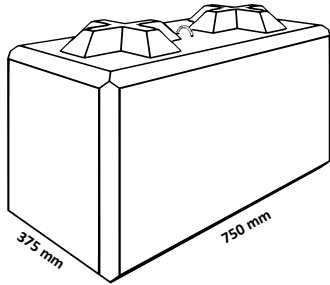
Manufacturers of the LOCK-BLOCK™ Retaining wall system

13171 Mitchell Road, Richmond, B.C. V6V 1M7

Toll free 1-800-565-2565 Fax. (604)325-3124

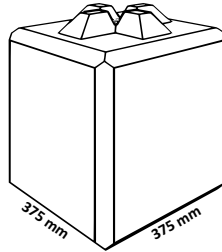
Website: www.LockBlock.com E-mail: lock-block@telus.net

Page 7 - Mini Blocks pt 1



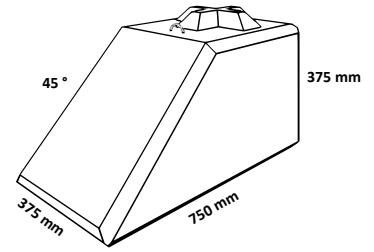
Standard Mini

550 lbs



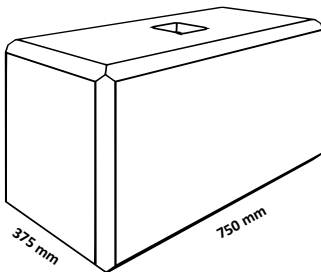
Half Mini

225 lbs



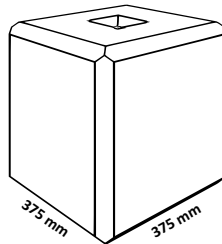
Transition Mini

425 lbs



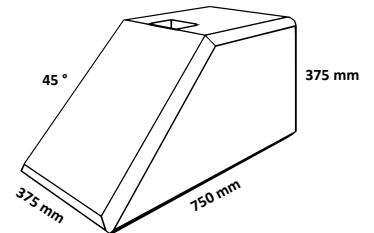
Flat Top Mini

550 lbs



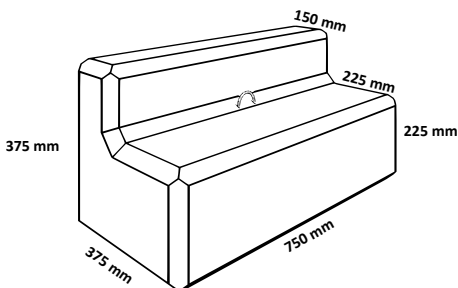
Half Flat Top Mini

225 lbs



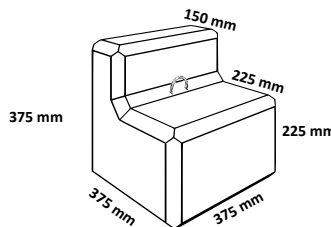
Transition Flat Top Mini

425 lbs



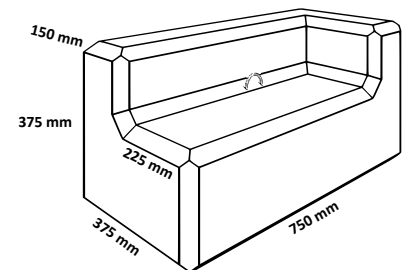
Bench Mini

400 lbs



Half Bench Mini

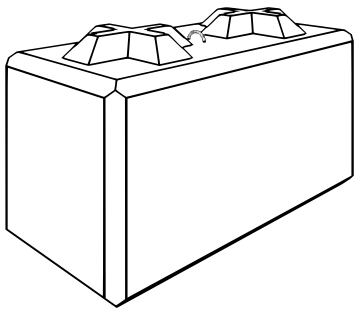
200 lbs



Left Corner Bench Mini

425 lbs

Blocks are normally available for immediate delivery, however some configurations may not be in stock and will therefore require advance notice. Granite facing or textured facing can be added to most blocks upon request



LOCK-BLOCK LTD.

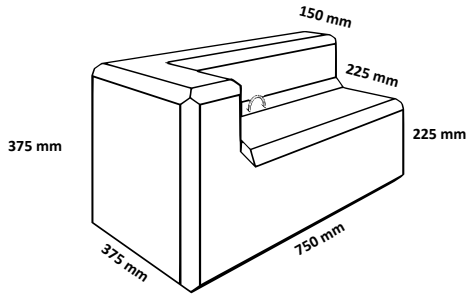
Manufacturers of the LOCK-BLOCK™ Retaining wall system

13171 Mitchell Road, Richmond, B.C. V6V 1M7

Toll free 1-800-565-2565 Fax. (604)325-3124

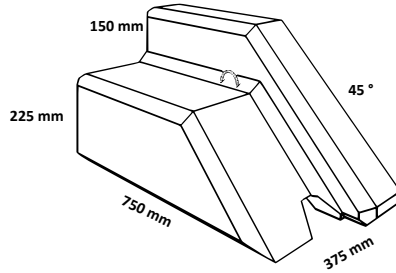
Website: www.LockBlock.com E-mail: lock-block@telus.net

Page 8 - Mini Blocks pt 2



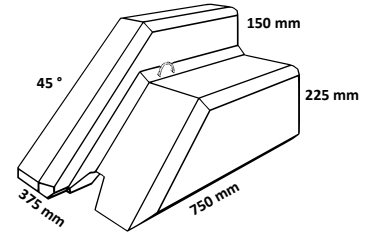
Right Corner Bench Mini

425 lbs



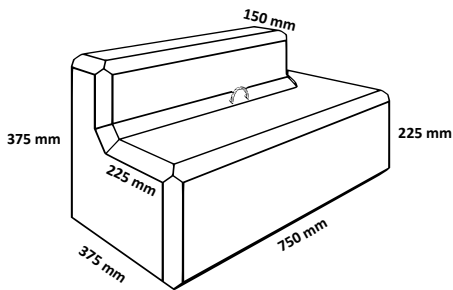
Left Bench Transition Mini

375 lbs



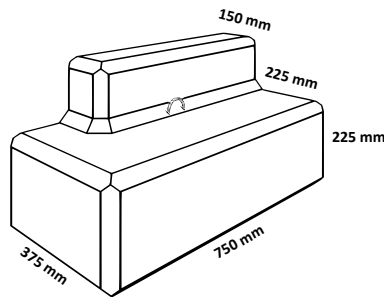
Right Bench Transition Mini

375 lbs



Left Inside Corner Bench Mini

400 lbs



Right Inside Corner Bench Mini

400 lbs

Blocks are normally available for immediate delivery, however some configurations may not be in stock and will therefore require advance notice. Granite facing or textured facing can be added to most blocks upon request